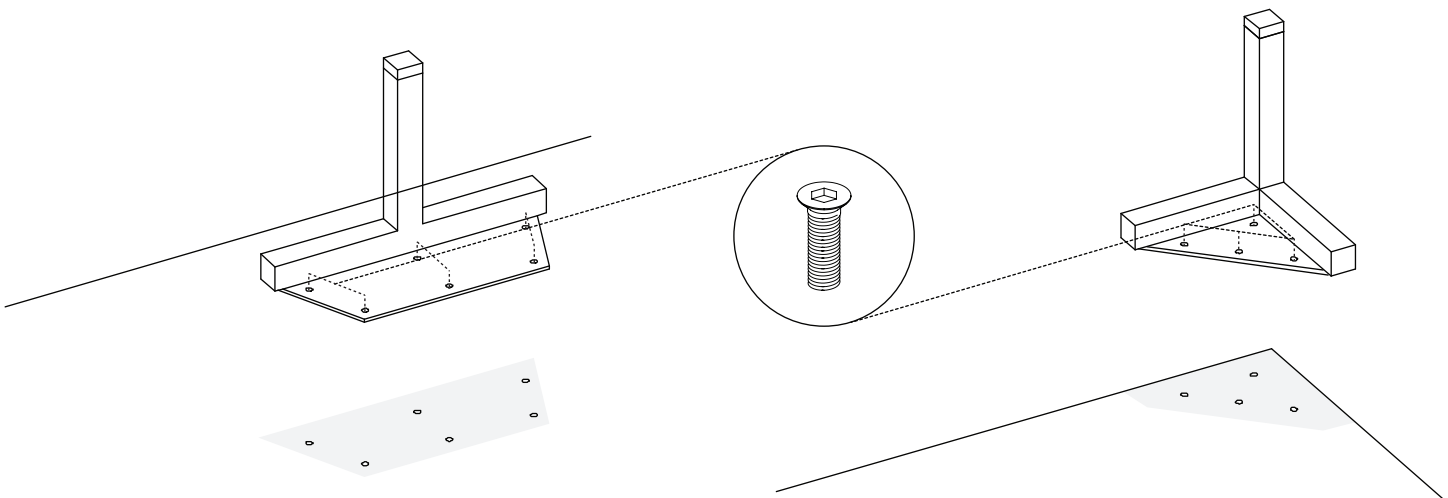
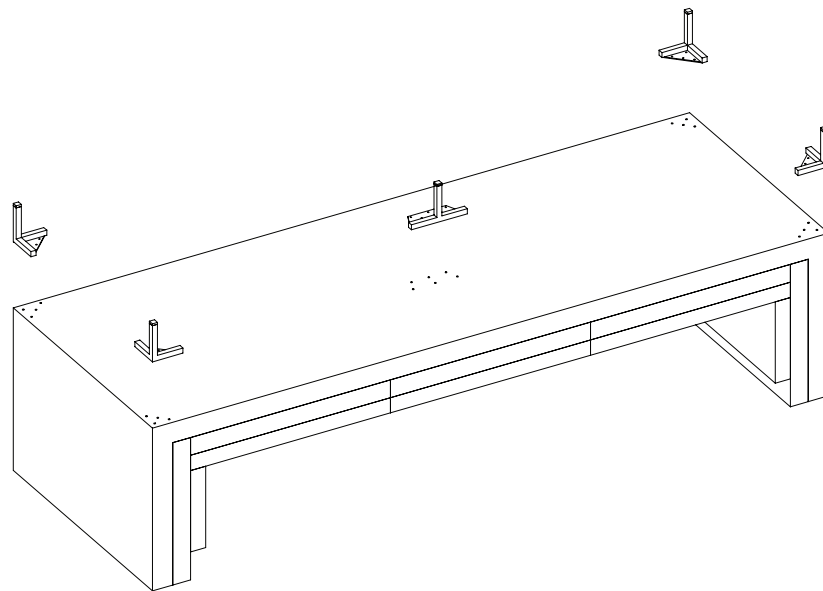
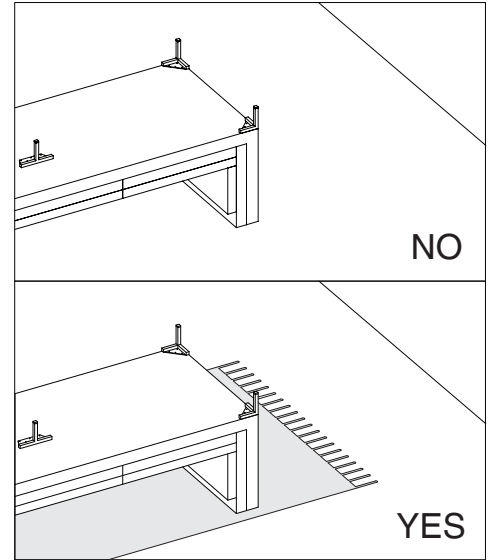
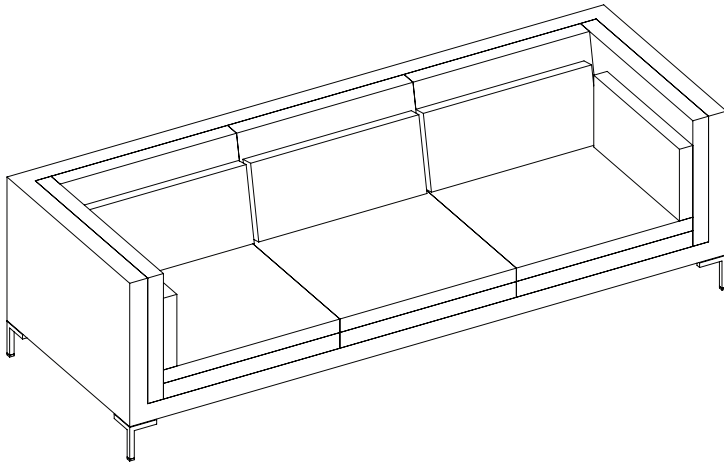


# LAYER branca®

Designed in Lisbon Made in Portugal

[www.branca-lisboa.com](http://www.branca-lisboa.com)



## IMPORTANT INFO

Branca products are manufactured combining digital technologies and manual production.

Each product is unique and may differ from each other, presenting small features typically seen on a handmade product.

Catalogue images may differ from actual product.

## CARE & MAINTENANCE

### KVADRAT fabrics

Regular cleaning is important in order to keep the upholstery textile looking its best and to prolong its life.

Dust and dirt wear down the textile and also reduce its fire-retardant properties.

#### **Standard cleaning**

Vacuum frequently, ideally every week. Use the vacuum at half power when appropriate.

We recommend that upholstered furniture in commercial environments are cleaned by professionals 2 to 3 times a year.

#### **Specific stains**

Liquids must be soaked up with an absorbent napkin or cloth.

Non-greasy stains can be removed by gently dabbing with a moist sponge or lint-free cloth. Work in circular motion towards the centre of the stain.

Always ensure the textile is fully dry before using the furniture again. Using a hairdryer can help to avoid edge marks, particularly with microfibre fabrics.

**Please note: these tips are purely recommendations and do not guarantee complete stain removal. In all cases, we recommend contacting a professional dry cleaner**

DETAILED INFO AT:

<http://kvadrat.dk/products/care-and-warranty>



MADE IN PORTUGAL

[info@branca-lisboa.com](mailto:info@branca-lisboa.com)